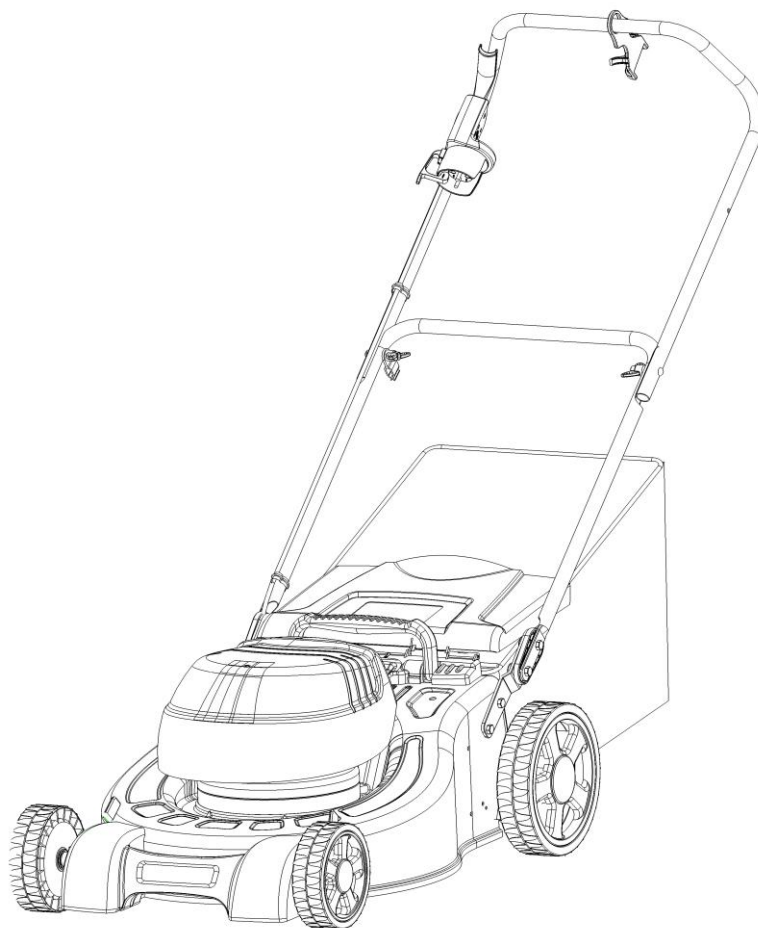


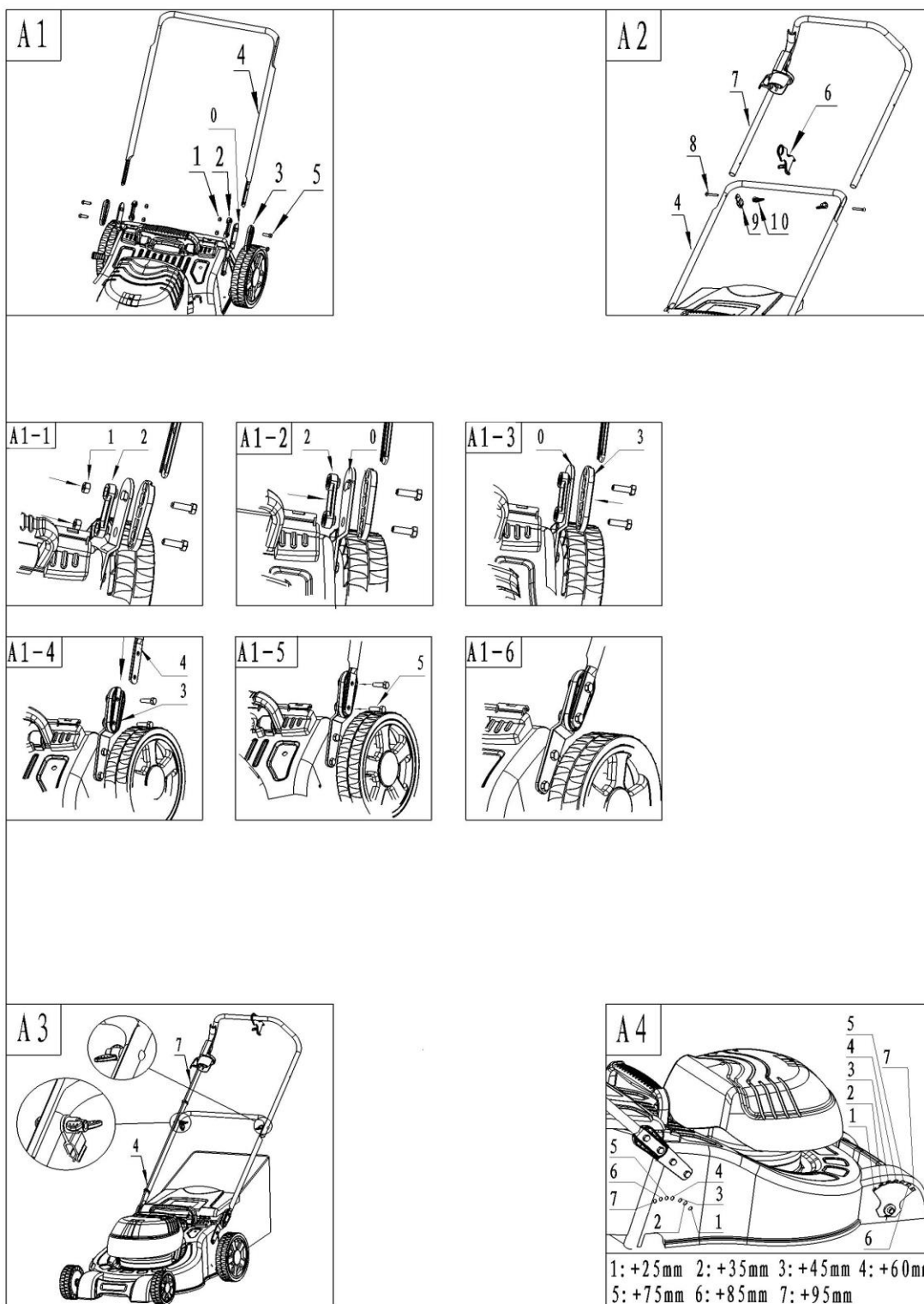


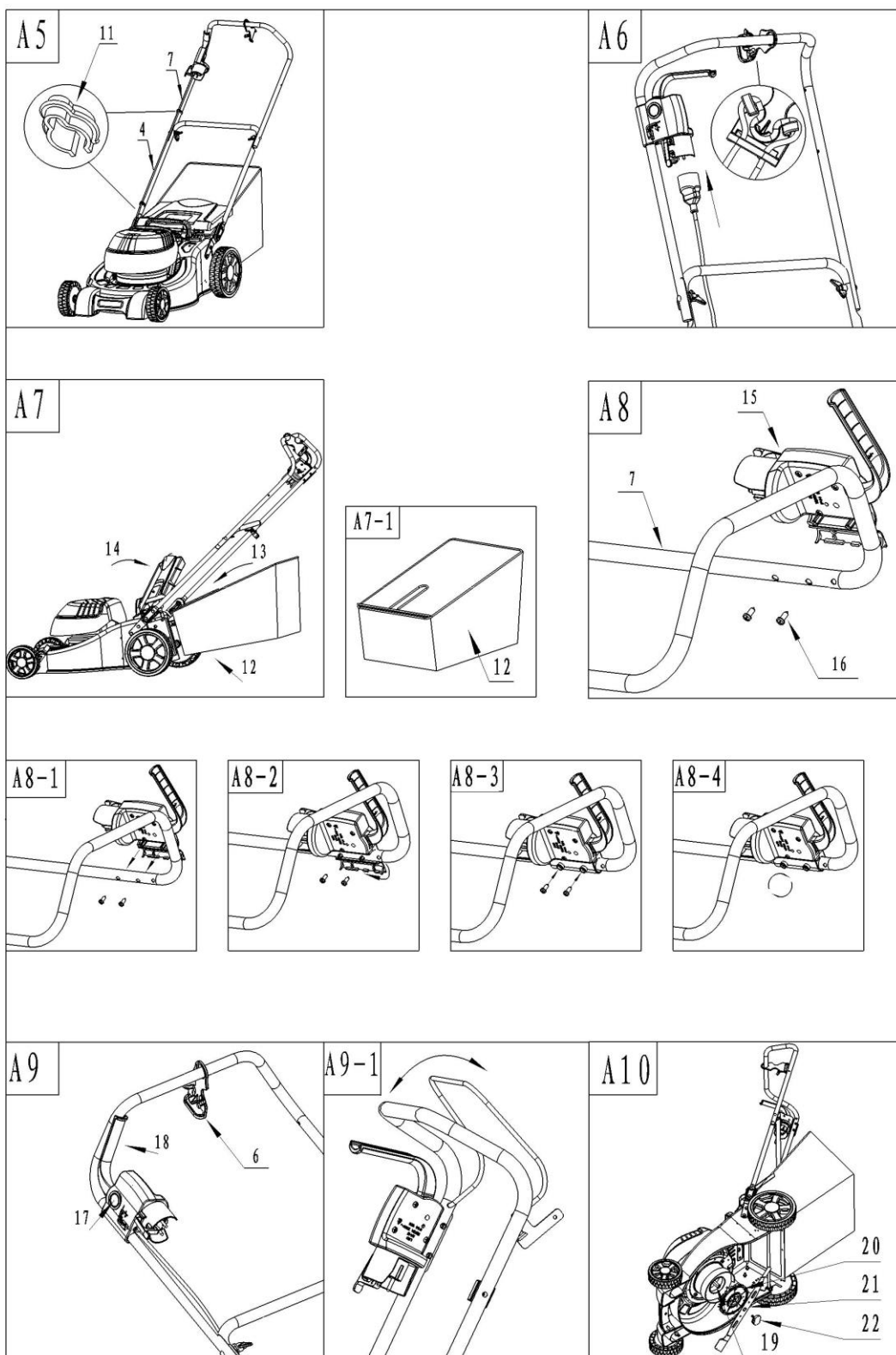
ELECTRIC LAWNMOWER

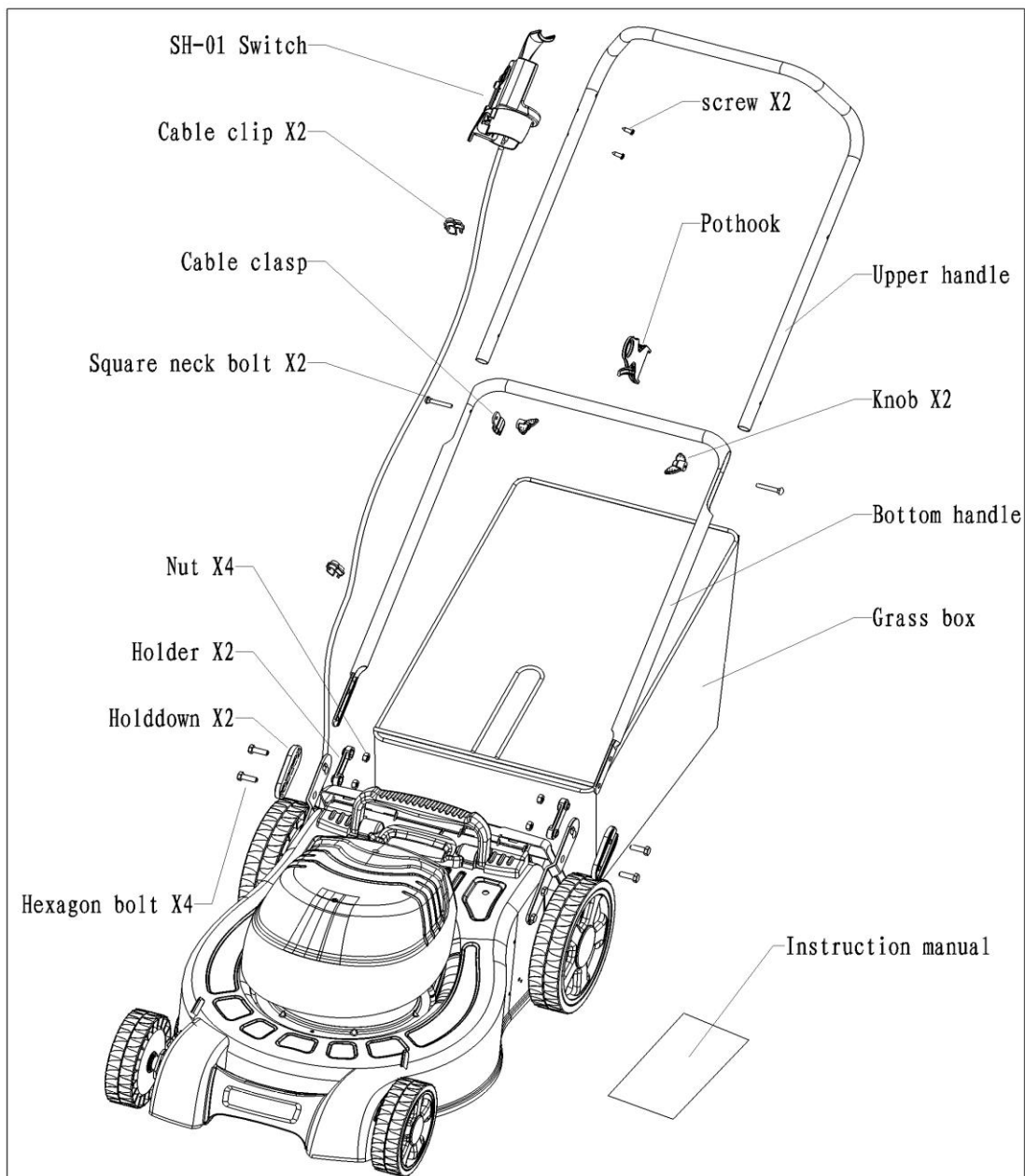
Instruction manual

GLM-48E









Cartoncontents

IMPORTANT!

Please check the contents of the carton are correct BEFORE assembling your new LEO product.

Congratulations on your purchase of a GAMA GARDEN lawnmower



It is important that you read, fully understand and observe the following safety precautions and warnings. Careless or improper use of the machine may cause serious or fatal injury.

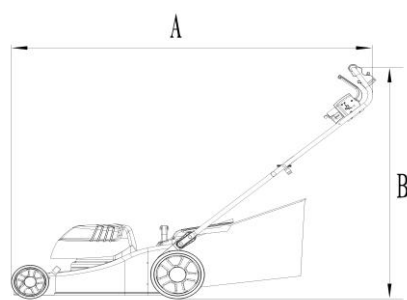
The user is responsible for any accidents involving other people or other people's property.



Never let children or other persons who are not familiar with the operating instructions use the lawnmower. Juveniles under 16 years may not use

the equipment. Local regulations may specify the minimum age of the operator

Technical data



We reserve the right of technical changes

D measurement of noise at the operator's ear according to EN836.

E measurement of vibrations at the handlebar. Held by the operator according to EN1033, EN836. The typical weighted acceleration is:

TYPE	GLM-48E
A	153cm
B	109cm
C	53 cm
D (Sound pressure level)	LPA 81dB(A)
E	$a_{hw} 3.58 \text{ m/s}^2$
Sound power level	LWA 96 dB
Power	1800W
Amperage	8A
Condensator	30uF
Voltage	230-240VAC
Working width	480mm
Cutting height	25-35-45-60-75-85-95
Weight	25kg

Safety instructions

Do not operate machine before having read the operating instructions, understood all the notes and assembly the machine as described here. Keep the instructions in a safe place for future use.

Meaning of the symbols



General hazard safety alert.



Read instruction manual



Beware of thrown or flying objects to bystanders.



Keep bystanders away from the machine.



Beware of sharp blade(s).



Remove plug from mains before maintenance or if the cord is damaged. Switch off and remove plug from mains before adjusting, cleaning or if the cable is entangled and before leaving the lawnmower unattended for any period.



Keep supply flexible cord away from cutting means



Wait until all machine components have completely stopped before touching them. The blades continue to rotate after the machine is switched off, a rotating blade can cause injury.



Do not mow in the rain or leave the lawnmower outdoors whilst it is raining



Meaning of crossed –out wheeled dustbin: Do not dispose of electrical appliances as unsorted municipal waste, use separate collection facilities. Contact you local government for information regarding the collection systems available. If electrical appliances are disposed of in landfills or dumps, hazardous substances can leak into the groundwater and get into the food chain, damaging your health and well-being. When replacing old appliances with new ones, the retailer is legally obligated to take back your old appliance for disposals at least free of charge

IMPORTANT

Equipment marked with an asterisk (*) is included as standard equipment only for certain models or specific country versions.

1. General information

- **This lawnmower is designed for domestic grass and lawn surfaces. Because of the physical risk to the user or to others, the lawnmower must not be used for other purposes.**
- **Read the instructions carefully. Be familiar with the controls and the proper use of the appliance.**
 - only mow the lawn during daylight or with the aid of appropriate artificial light.
- Never allow children or people unfamiliar with these instructions to use the appliance. Local regulations may restrict the age of the operator.
- Never mow while people, especially children, or pets are nearby.
- The operator or user is responsible for accidents or hazards occurring to other people or their property.
- Not to use the lawnmower if the cords are damaged or worn.
- Not to connect a damaged cord to the supply or touch a damaged cord before it is disconnected from the supply. A damaged cord can lead to contact with live parts.
- Not to touch the tines before the machine is disconnected from the supply and the tines have come to a complete stop.
- To keep extension cords away from the tines. The tines can cause damage to the cords and lead to contact with live parts.
- To carefully read the instructions for the safe operation of the machine.
- This appliance is not intended for use by persons (including children) with reduced physical, sensory or mental capabilities, or lack of experience and knowledge, unless they have been given supervision or instruction concerning use of the appliance by a person responsible for their safety.
- Children should be supervised to ensure that they do not play with the appliance.

- The operator or user is responsible for accidents or hazards occurring to other people or their property.

Preparation

- While mowing, always wear substantial footwear and long trousers.
- Do not operate the appliance when barefoot or wearing open sandals.
- Thoroughly inspect the area where the appliance is to be used and remove all stones, sticks, wires, bones, and other foreign objects.
- Before using, always visually inspect to see that the blades, blade bolts and cutter assembly are not worn or damaged. Replace worn or damaged blades and bolts in sets to preserve balance.
- On multi-bladed appliances, take care as rotating one blade can cause other blades to rotate.

Operation

- Mow only in daylight or in good artificial light.
- Avoid operating the appliance in wet grass, where feasible
- Always be sure of your footing on slopes.
- Do not mow excessively steep slopes.
- Use extreme caution when reversing or pulling the appliance towards you.
- Stop the blade(s) if the appliance has to be tilted for transportation when crossing surfaces other than grass, and when transporting the appliance to and from the area to be mowed.
- Never operated the appliance with defective guards or shields, or without safety devices, for example deflectors and/or grass catchers, in place.
- Switch on the motor according to instructions and with feet well away from the blade(s).
- Do not tilt appliance when switching on the motor, except if the appliance has to be tilted for starting. In this case, do not tilt it more than absolutely necessary and lift only the part which is away from the operator. Always ensure that both hands are in the operating position before returning the appliance to the ground.
- Do not put hands or feet near or under rotating parts. For rotary mowers, keep clear of the discharge opening at all times.
- Never pick up or carry an appliance while the motor is running.

Maintenance and storage

- Keep all nuts, bolts, and screws tight to be sure the appliance is in safe working condition.
- Check the grass catcher frequently for wear or deterioration.
- Replace worn or damaged parts for safety
- For rotary mowers, ensure that only replacement cutting means of the right type are used.
- For UK plug, it is for domestic use. Please avoid using it in wet conditions and don't keep it close to any areas where water is present.

2. Before mowing

- Always wear suitable clothing; never loose clothing; which could be caught by the cutting tool. Wear suitable footwear! Also protect legs(e. g. with long trousers)and your hands(gloves).
- Check the site on which the machine is to be used, and remove all items which could be caught and ejected.

- check the line and connection cable fitted to the outside of the lawnmower for damage and ageing (brittleness).only use if in perfect condition.
- Only have the cable repaired by a qualified person.
- Thoroughly inspect the area where the lawnmower is to be used and remove all stones, sticks, wires, bones and other foreign objects.
- Before using, always visually inspect to see that the blades, blade bolts and cutter assembly are not worn or damaged.
- Replace worn or damaged blades and bolts in sets to preserve balance.
- Check the grass catchment device regularly for wear-and-tear and deformation.
- Check the supply cord before using the equipment, if the rubber enclosure of the supply cord has broken off or the metal conductor of it exposes to the air, replace the supply cord immediately to avoid the risk of electrical shock.

3. Cables

- Please work with safety cables. For the connection only use an H05RN-F or heavier power cable, with a minimum cross section of 2X1.0mm² and maximum length 25m.
- Plugs and couplings must be protected from splashes.
- Use a leakage-protective system(RCD)with a leakage current of no more than 30 mA
- Attach connection cable to traction relief. Make sure that in does not rub against edges. pointed or sharp objects. Do not squeeze cable through door or window gaps
- Switching devices must not be removed or bridged (e. g. tying of switching lever to guide spar).
- Remove the plug from the socket whenever you leave the machine;
before clearing a blockage;
before checking, cleaning or working on the machine;
after striking a foreign object; inspect the appliance for damage and make repairs as necessary;

if the appliance starts to vibrate abnormally (check immediately)

- If the connection cable is damaged during use, it must be immediately disconnected from the main power supply
Do not touch the cable before it has been disconnected from the mains power supply.
- If the supply cord is damaged, it must be replaced by the manufacturer, its service agent or similarly qualified persons in order to avoid a hazard.

4. When mowing

- Only switch on motor when your feet are at a safe distance from the cutting tools.
 - Do not tilt lawnmower when switching on the motor, except if the appliance has to be tilted for starting. In this case, do not tilt it more than absolutely necessary and lift only the part which is away from the operator. Always ensure that both hands are in the operating position before returning the appliance to the ground.
 - Avoid operating the appliance in wet grass, where feasible.
 - Adhere to the safety distance given by the guidance spars.
 - Always be sure of your footing on slopes.
-

- Walk, never run.
- For wheeled rotary mowers, mow across the face of slopes, never up and down.
- Exercise extreme caution when changing direction on slopes.
- Do not mow excessively steep slopes.
- Use extreme caution when reversing or pulling the appliance towards you.
- Stop the blade(s) if the appliance has to be tilted for transportation when crossing surfaces other than grass, and when transporting the appliance to and from the area to be mowed.
- Never operate the appliance with defective guards or shields, or without safety devices, for example deflectors and/or grass catchers, in place.
- Switch on the motor according to instructions and with feet well away from the blade(s).
- Do not put hands or feet near or under rotating parts. For rotary mowers, keep clear of the discharge opening at all times.
- Never pick up or carry an appliance while the motor is running.
- Pull the plug from the socket:
 - before clearing blockages or unclogging chute;
 - before checking, cleaning or working on the machine;
 - after striking a foreign object. Inspect the machine for damage and make repairs before restarting and operating the machine;
 - if the machine starts to vibrate abnormally (check immediately);
- Always mow slopes at right angles to the incline; never mow up and down
- Caution: do not touch running cutters.
- Never open the guard flap while the motor is still running.

5. Overload protection (*)

In case of overload or blocking, please release the switch bar and move away the lawn mower. The machine can be switched on again after about 30 sec. Overload: cutting height is too low or forward speed is too fast. Blocking: Foreign object in cutting area. (e.g. Branches)

Assembly

Assembling bottom handle part (fig. A1)

- 1、 insert the nut (1) into the holder (2) as illustrated in **fig(A1-1)**;
- 2、 lock the holder (2) into position of fixation plank (0) as illustrated in **fig (A1-2)** ;
- 3、 place the hold-down (3) over the fixation plank (0) as illustrated in **fig(A1-3)** ;
- 4、 place the bottom handle (4) part over the connect hold-down (3) as illustrated in **fig(A1-4)**
- 5、 insert the hexagon bolt (5) into the hole of nut as illustrated in **fig(A1-5)** ;
- 6、 the bottom handle can be fixed as illustrated in **fig(A1-6)**, repeat for the other side

Assembling upper of handle (fig. A2) ;

Put the pothook (6) on the upper of handle; And then place the upper of handle part (7) over the bottom handle; after that insert, the square neck bolt (8) into the hole. And now we can place the cable clasp (9) onto the square neck bolt (8). Turn the knob sometimes clockwise. So that the upper of handle is build in as illustrated in **fig(A3)** ;

Attaching clips (fig. A5)

Fasten switch cable with the clips (11) on the handle rod

Assembling switch (fig. A8) ;

- 1、 Open switch bracket and position switch (15) on the upper handle element so that the two nubs catch in the holes as illustrated in **fig (A8-1)** ;
- 2、 Close the switch bracket as illustrated in **fig (A8-2)** ;
- 3、 Fasten switch with the two screws (16) as illustrated in **fig (A8-3/A8-4)** ;

Operation

Operating times

Please check noise abatement regulations prevailing in your country.

Inserting power cable into cable holder (fig. A6)

Insert the power cord into the strain relief as shown in the illustration.

Connecting to the mains

(230 -240Volt AC., 50 Hz), provided with a 13 Amps. fuse.

Note: Use a residual current device (RCD) rated for a residual current not greater than 30 mA.

Grassbox (Fig.A7)

Grassbox assembly (fig. A7-1)

Fit the grass bag fiber on the frame, and put the plastic extrusion part over the frame.

Fitting

Lift the deflector guard and hold up, fit the grassbox

Removing/emptying

Lift the deflector guard and hold up. Remove the grassbox.

For non-grass collection, the mower can be used without the grassbox in position, with the deflector guard in the down position.

Setting the working depth (Fig, A4)



Stop, release switch lever and wait until the motor stops before adjusting height. The blades continue to rotate after the machine is switched off, a rotating blade can cause injury

For the first cutting of the season, a high cutting adjustment should be selected.

You machine has three settings that result to the following cutting heights.

I =25mm II =35mm III=45mm IV=60mm V =75mm VI=85mm VII=95mm

Important! The front and back wheels must be set to the same height.

Starting and Stopping (Fig.A9)



The blade continues to rotate for a few seconds after the machine is switched off. Allow the motor/blade to stop rotating before switching “on” again.

Do not rapidly switch off and on.

starting:

- 1.Press and hold the safety button (17).
2. Squeeze the switch lever (18) towards the handle.
- 3.Release the safety button (17).

Stopping:

Release the switch lever (18).

Mowing:

Place the lawnmower on the edge of the lawn, as close to the power point as possible. Work away from the power point

Position the cable to opposite side (already cut) at the end of each turn.

When mowing does not allow the motor to labour particularly in heavy conditions. When the motor labours the speed of the motor drops and you will hear a change in the motor sound, when this occurs stop mowing, release the switch lever and raise the height of cut. Failure to do so could damage the machine.

NOTE: The motor is protected by a safety cut out which is activated when the blade




becomes jammed or if the motor is overloaded. When this occurs stop, remove the plug from the power supply. The safety cut out will only reset when the switch lever (18) is released. Clear any obstruction and wait for a few minutes for the safety cut out to reset before continuing to use the mower. At this time do not operate the switch lever (18) as this will prolong the reset time of the safety cut out. If the mower cuts out again increase the height of cut to reduce the load on the motor.

Drive (*)

Connect the drive by pressing in the clutch lever towards the handle bar. disconnect the drive by releasing the clutch lever(fig.9-1)

Maintenance

Cleaning

 **Note:** Disconnect electricity by unplugging cable at the socket before proceeding.
Attention: keep hands clear of moving blade.

Clean mower thoroughly after each mowing with cloth or brush.

Do not spray with water.


Winter storage

Before storage

- Clean mower thoroughly before storing away.
- Have your mower thoroughly checked once a year by an approved service center
- Do not store it in a wet or humid place.
- Keep all nuts, bolts, and screws tight to be sure the appliance is in safe working condition.
- Check the grass catcher frequently for wear or deterioration.
- Replace worn or damaged parts for safety.

Change of cutter blade (Fig.A10)

Stop, remove plug from the power supply and remove the collector.

 Turn the machine on its right side and inspect the blade and fan; if blunt or damaged, replace .

Use the following procedure to remove and replace the blade(21). Hold the blade(21) using gardening gloves(not provided) use a spanner(not provided)to remove the blade bolt(22),fan(20) and blade(21). Fit the fan, blade and blade bolt. Ensure that the blade is the correct way up and tighten the bolt firmly.

Faults and how to remedy

problem	Possible Cause	Remedy (X) by:	
		GAMA GARDEN service-workshop	yourself
Uneven running, heavy vibrations in the mower	. Blades damaged . Blades loose in the fastening parts . Fuse blown . Cable damaged	X ---- ---- X	---- X X ----
Motor will not run	. Fuse blown . Cable damaged Important! If you inadvertently cut through the cable, the fuse (16 Amp.) will not always blow. In the interest of safety, never touch damaged or severed cables before disconnecting the mains plug. Repairing the cable with insulating tape is prohibited.	---- X	X ----
Poor mowing	. Blunt blades	X	----

	. Incorrect cutting height	----	X
Poor catching	. Blunt blades	X	---
	. Catcher bag blocked	----	X
	. Incorrect cutting height	----	X
When in doubt, always consult a GAMA GARDEN service workshop. Important: switch off the mower and disconnect the mains plug before inspecting, cleaning or working on the blades.			

Guarantee terms

Please carefully retain the guarantee card completed by the seller, or the proof of purchase.

The company **Acquaer** provides a guarantee for 24 months from the date of purchase This guarantee is in accordance with the relevant state of technology and the utilization purpose / area of application the consumers statutory rights are not affected by the following guarantee guidelines

Pre-conditions for the 24-month guarantee entitlement:

- Deployment of the device solely for private use.

The guarantee is reduced to 12 months in the commercial sector or leasing business.

- Proper handling and observance of all information given in the operating manual, which forms part of our guarantee terms.
- Observance of the prescribed maintenance intervals
- No unauthorized alteration of the design.
- Installation of original GAMA GARDEN replacement parts/accessories.
- Presentation of the completed guarantee card and/or proof of purchase.

This guarantee does not extend to normal wear-and-tear on blades, blade mounting components or friction disks, V-belt/toothed belts, running wheels/tyres air filters spark plugs and spark plug connectors. Any guarantee claim shall be immediately void in the event of unauthorized repairs. Faults and defects, which can be traced to material or manufacturing faults will be rectified exclusively by our contracted workshops (the seller has the right to remedy a defect) in your vicinity. or by the manufacturer if the latter is closer. Any claims going beyond the provision of a guarantee are ruled out. There is no entitlement to a replacement. Any transport damage should be reported not to us but to the shipper in question since, otherwise, any compensation claims the shipper would be voided.



This symbol on the device or the packaging indicates that the product shall not be managed as household waste. Please dispose of it at the collecting place assigned for the collection of electrical and electronic devices. By proper management of superseded products, you can help prevent the environment and human health from damage which would occur if you do not follow the proper way of waste disposal. The recycling of the materials helps in the preservation of the natural resources. For further information on the recycling of the product, please turn to the competent authorities, the local waste collecting service provider or the shop where this product was bought.

Information concerning the packaging materials

The used packaging materials must be thrown into the relevant waste collector.

In case of the need of any parts, questions or service instructions please contact:

- **szerviz@gamagarden.eu**
- **+36 30 508-6563**

Acquaer Ltd., 4900 Fehérgyarmat, Szatmári u. 11 certifies CE conformity of the above-mentioned product and that it complies with the technical data specified in the data plate and the “Operating instructions”.

You can get detailed information about the CE declarations at: **www.gamagarden.eu**