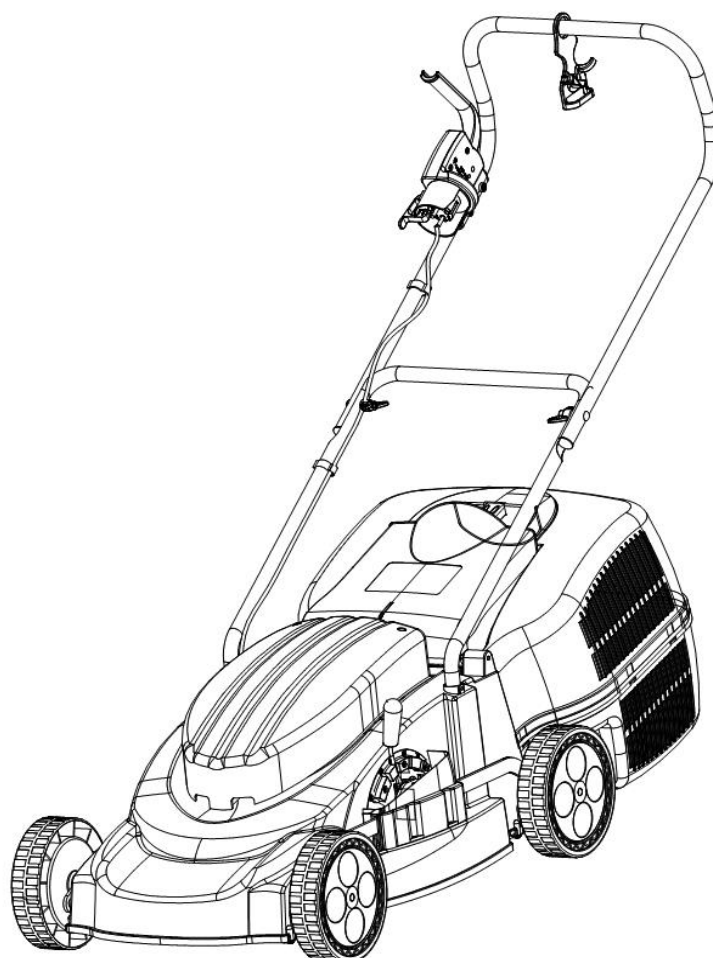


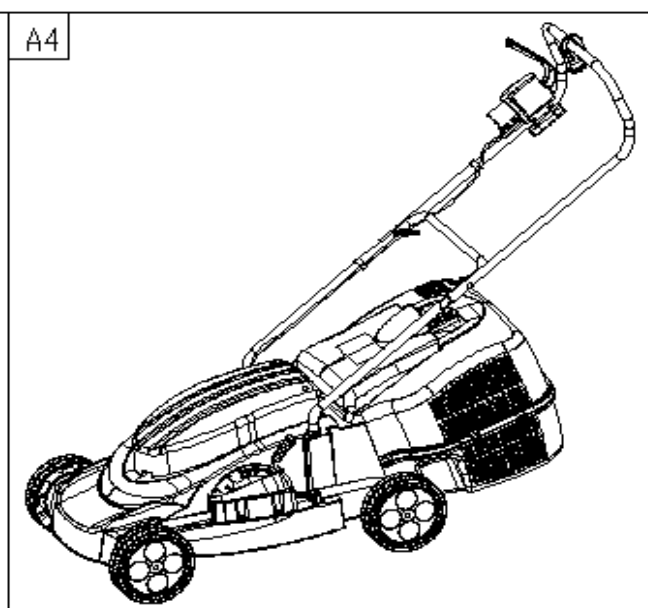
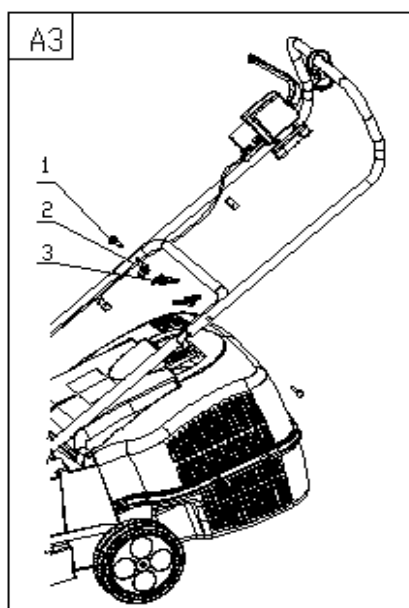
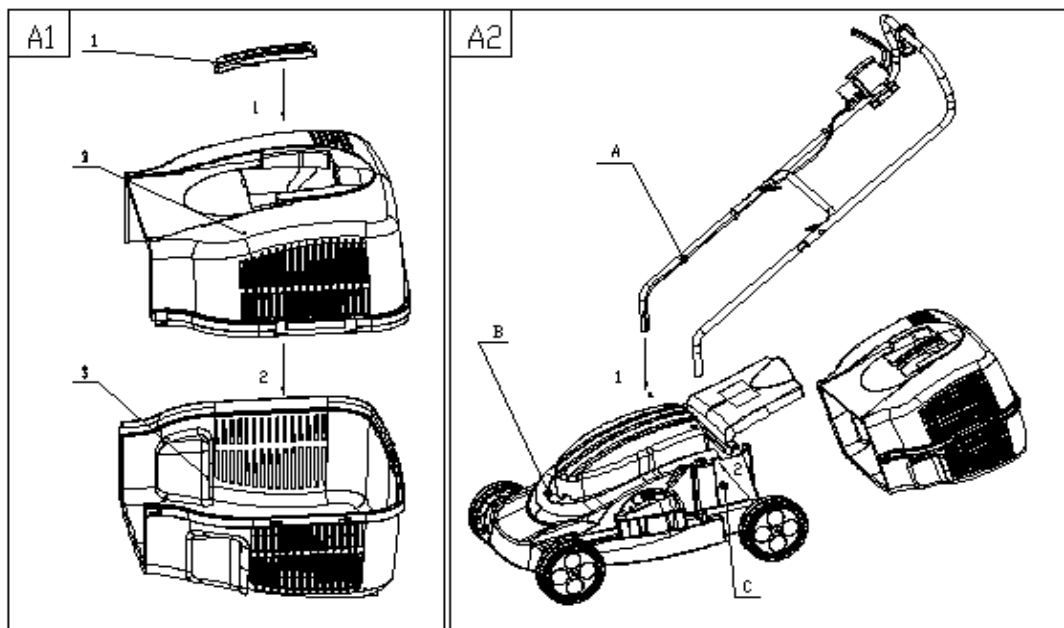


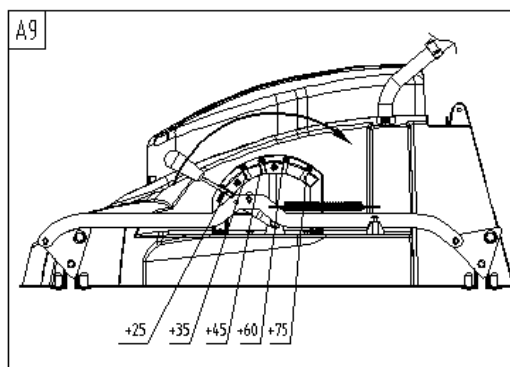
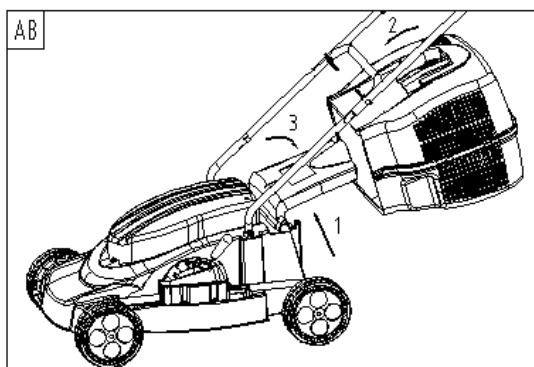
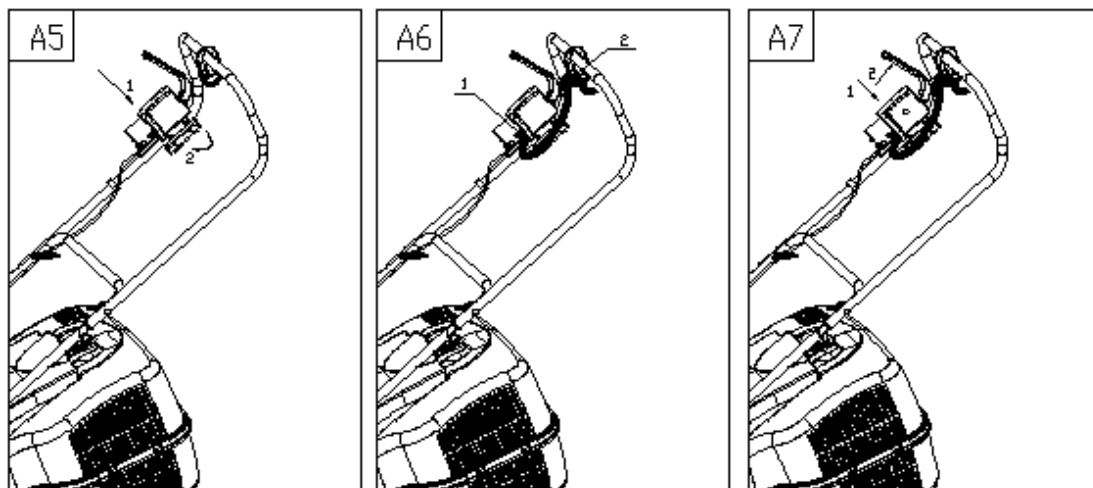
ELECTRIC LAWNMOWER

Instruction manual

GLM-43E







Congratulations on your purchase of a GAMA GARDEN lawnmower

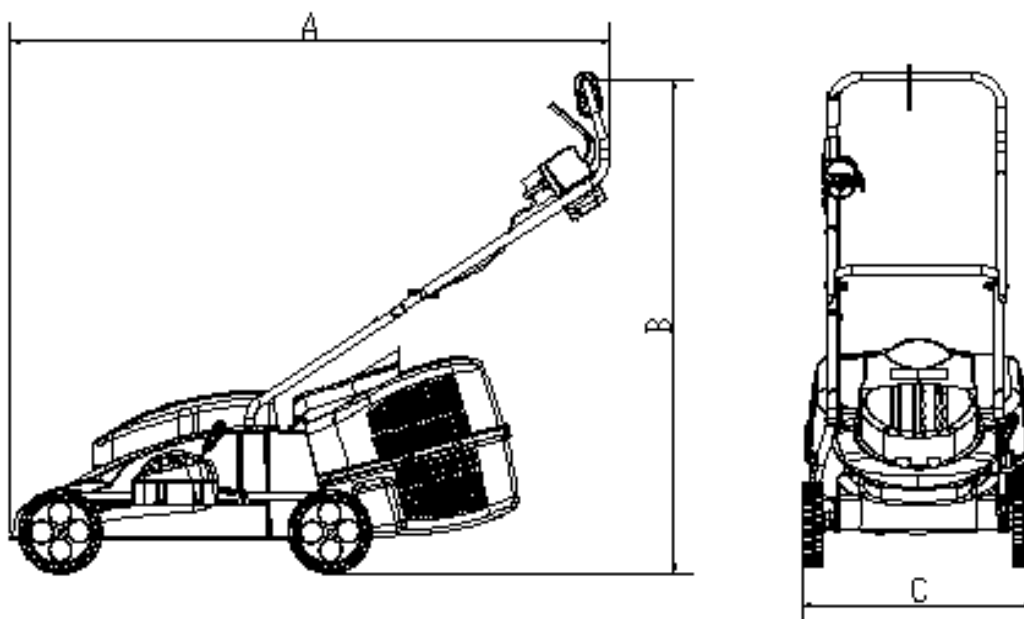


It is important that you read, fully understand and observe the following safety precautions and warnings. Careless or improper use of the machine may cause serious or fatal injury. The user is responsible for any accidents involving other people or other people's property.



Never let children or other persons who are not familiar with the operating instructions use the lawnmower. Juveniles under 16 years may not use the equipment. Local regulations may specify the minimum age of the operator

Technical data



We reserve the right of technical changes

D measurement of noise at the operator's ear according to EN836.

E measurement of vibrations at the handlebar. Held by the operator according to EN1033, EN836. The typical weighted acceleration is:

Type	GLM-43E
A	128.9cm
B	95.3cm ~ 105.3cm
C	49.9cm
D(Sound pressure level)	LPA 83.6dB(A)
E	$a_{hw} 2.34 \text{ m/s}^2$
Sound power level:	LWA 96dB
Power	1500W
Amperage	6.6A
Condensator	25uF
Voltage	230-240VAC
Working width	43cm
Cutting height	25-75
Weight	19kg

Safety instructions

Do not operate machine before having read the operating instructions, understood all the notes and assembly the machine as described here. Keep the instructions in a safe place for future use.

Meaning of the symbols



General hazard safety alert.



Read instruction manual



Beware of thrown or flying objects to bystanders.



Keep bystanders a safe distance away from the machine.



Sharp blade(s). Beware of severing toes or fingers.



Switch off and remove plug from mains before adjusting, cleaning or if the cable is entangled and before leaving the lawnmower unattended for any period. Keep the supply flexible cord away from the cutting blades.



Keep supply flexible cord away from cutting means



Wait until all machine components have completely stopped before touching them. The blades continue to rotate after the machine is switched off, a rotating blade can cause injury.

Do not mow in the rain or leave the lawnmower outdoors whilst it is raining

1. General information

This lawnmower is designed for domestic grass and lawn surfaces. Because of the physical risk to the user or to others, the lawnmower must not be used for other purposes.

Read the instructions carefully. Be familiar with the controls and the proper use of the appliance.

only mow the lawn during daylight or with the aid of appropriate artificial light.

Never allow children or people unfamiliar with these instructions to use the appliance. Local regulations may restrict the age of the operator.

Never mow while people, especially children, or pets are nearby.

The operator or user is responsible for accidents or hazards occurring to other people or their property.

2. Before mowing

.Always wear suitable clothing; never loose clothing; which could be caught by the cutting tool. Wear suitable footwear! Also protect your legs (e. g. with long trousers) and your hands (gloves).

Check the site on which the machine is to be used, and remove all items which could be caught and ejected.
check the line and connection cable fitted to the outside of the lawnmower for damage and ageing (brittleness).
only use if in perfect condition.

Only have the cable repaired by a qualified person.

Thoroughly inspect the area where the lawnmower is to be used and remove all stones, sticks, wires, bones and other foreign objects.

Before using, always visually inspect to see that the blades, blade bolts and cutter assembly are not worn or damaged.

Replace worn or damaged blades and bolts in sets to preserve balance.

Check the grass catchment device regularly for wear-and-tear and deformation.

Check the supply cord before using the equipment,

if the rubber encloser of the supply cord has broken off or the metal conductor of it exposes to the air, replace the supply cord immediately to avoid the risk of electrical shock.

3. Cables

.Please work with safety cables. For the connection only lines which are not lighter than rubber hose lines H07 RN-F with a minimum diameter of $3 \times 1.5 \text{mm}^2$ must be used. Do not exceed a maximum length of 25m.

Plugs and couplings must be protected from splashes.

Use a leakage-protective system(RCD)with a leakage current of no more than 30 mA

Attach connection cable to traction relief. Make sure that it does not rub against edges, pointed or sharp objects.

Do not squeeze cable through door or window gaps

Switching devices must not be removed or bridged (e. g. tying of switching lever to guide spar).

Remove the plug from the socket

- whenever you leave the machine;

-before clearing a blockage;

-before checking, cleaning or working on the machine;

-after striking a foreign object; inspect the appliance for damage and make repairs as necessary;

-if the appliance starts to vibrate abnormally (check immediately)

If the connection cable is damaged during use, it must be immediately disconnected from the main power supply

Do not touch the cable before it has been disconnected

from the mains power supply.

4. When mowing

. Only switch on motor when your feet are at a safe distance from the cutting tools.

. Do not tilt lawnmower when switching on the motor, except if the appliance has to be tilted for starting. In this case, do not tilt it more than absolutely necessary and lift only the part which is away from the operator. Always ensure that both hands are in the operating position before returning the appliance to the ground.

Avoid operating the appliance in wet grass, where feasible.

Adhere to the safety distance given by the guidance spars.

Always be sure of your footing on slopes.

Walk, never run.

For wheeled rotary mowers, mow across the face of slopes, never up and down.

Exercise extreme caution when changing direction on slopes.

Do not mow excessively steep slopes.

Use extreme caution when reversing or pulling the appliance towards you.

Stop the blade(s) if the appliance has to be tilted for transportation when crossing surfaces other than grass, and when transporting the appliance to and from the area to be mowed.

Never operate the appliance with defective guards or shields, or without safety devices, for example deflectors and/or grass catchers, in place.

Switch on the motor according to instructions and with feet well away from the blade(s).

Do not put hands or feet near or under rotating parts. For rotary mowers, keep clear of the discharge opening at all times.

Never pick up or carry an appliance while the motor is running.

Pull the plug from the socket:

- before clearing blockages or unclogging chute;
- before checking, cleaning or working on the machine;
- after striking a foreign object. Inspect the machine for damage and make repairs before restarting and operating the machine;
- if the machine starts to vibrate abnormally (check immediately);

Always mow slopes at right angles to the incline; never mow up and down

Caution: do not touch running cutters.

Never open the guard flap while the motor is still running.

Assembly

Collector part assembly (fig. A1)

1. Press the handle (1) into collector cover (2),
2. place the collector cover on the collector base (3) from above in such a way that all the eyes are positioned over the hooks.
3. Press the collector cover on the collector base until the hooks engage securely.
4. Inspect: Check that all the hooks are engaged securely.

Assembling bottom handle part (fig. A2)

Put the bottom handle(A) into chassis holes(B), then insert securing screw ST4.7X16 (C) from inside through the bottom handle, so that both projections catch in the recesses.

Assembling top of handle (fig. A3)

Attaching switch, strain relief and clips (fig. A4/A5)

Fold up switch bracket and position switch on the upper handle element so that the two nubs catch in the holes. Close switch bracket. Then fasten switch with the two screws ST4X16. fasten switch cable with the clips on the handle rod. (fig.A4)

Operation

Operating times

Please check noise abatement regulations prevailing in your country.

Inserting power cable into cable holder (fig. A6)

Insert the power cord into the strain relief as shown in the illustration.

Connecting to the mains

The mower operates from any normal household mains supply (230 Volt AC., 50 Hz), provided with a 13 Amps. fuse.

Note: Use a residual current device (RCD) rated for a residual current not greater than 30 mA.

Collector (Fig.A8)

Fitting


Lift the deflector guard and hold up, fit the collector.

Removing/emptying

Lift the deflector guard and hold up. Remove collector.

For non-grass collection, the mower can be used without the collector in position, with the deflector guard in the down position.

Setting the working depth (Fig, A9)

 **Stop, release switch lever and wait until the motor stops before adjusting height. The blades continue to rotate after the machine is switched off, a rotating blade can cause injury**


For the first cutting of the season, a high cutting adjustment should be selected.

You machine has five settings that result to the following cutting heights.

I =25mm II =35mm III=45mm IV=60mm V =75mm

Important! The front and back wheels must be set to the same height.

Starting and Stopping (Fig.A7)

 **The blade continues to rotate for a few seconds after the machine is switched off. Allow the motor/blade to stop rotating before switching “on” again.**

Do not rapidly switch off and on.

starting:

1. Press and hold the safety button 1.
2. Squeeze the switch lever 2 towards the handle.
3. Release the safety button 1.


Stopping:

Release the switch lever 2.

Mowing:

Place the lawnmower on the edge of the lawn, as close to the power point as possible. Work away from the power point


Position the cable to opposite side (already cut) at the end of each turn.

 When mowing does not allow the motor to labour particularly in heavy conditions. When the motor labours the speed of the motor drops and you will hear a change in the motor sound, when this occurs stop mowing, release the switch lever and raise the height of cut. Failure to do so could damage the machine.

NOTE: The motor is protected by a safety cut out which is activated when the blade becomes jammed or if the motor is overloaded. When this occurs stop, remove the plug from the power supply. The safety cut out will only reset when the switch lever 2 is released. Clear any obstruction and wait for a few minutes for the safety cut out to reset before continuing to use the mower. At this time do not operate the switch lever 2 as this will prolong the reset time of the safety cut out. If the mower cuts out again increase the height of cut to reduce the load on the motor.

Maintenance

Cleaning

 **Note: Disconnect electricity by unplugging cable at the socket before proceeding. Attention: keep hands clear of moving blade.**

Clean mower thoroughly after each mowing with cloth or brush.

Do not spray with water.

Winter storage

Clean mower thoroughly before storing away.


Have your mower thoroughly checked once a year by an approved service center

Do not store it in a wet or humid place.

Keep all nuts, bolts, and screws tight to be sure the appliance is in safe working condition.

Check the grass catcher frequently for wear or deterioration.

Replace worn or damaged parts for safety.

 **Stop, remove plug from the power supply and remove the collector.**

Turn the machine on its right side and inspect the blade L06 and fan; if blunt or damaged, replace.

Use the following procedure to remove and replace the blade. Hold the blade using gardening gloves (not provided) use a spanner (not provided) to remove the blade bolt, fan and blade. Fit the fan, blade and blade bolt. Ensure that the blade is the correct way up and tighten the bolt firmly.

Faults and how to remedy

problem	Possible Cause	Remedy (X) <u>by</u> :	
		GAMA GARDEN service-workshop	yourself
Uneven running, heavy vibrations in the mower	. Blades damaged	X	----
	. Blades loose in the fastening parts	----	X
	. Fuse blown	-----	X
	. Cable damaged	X	----
Motor will not run	. Fuse blown . Cable damaged Important! If you inadvertently cut through the cable, the fuse (16 Amp.) will not always blow. In the interest of safety, never touch damaged or severed cables before disconnecting the mains plug. Repairing the cable with insulating tape is prohibited.	---- X	X ----
	Poor mowing	. Blunt blades	X
. Incorrect cutting height		----	X
Poor catching	. Blunt blades	X	---
	. Catcher bag blocked	----	X
	. Incorrect cutting height	----	X
<p>When in doubt, always consult a GAMA GARDEN service workshop. Important: switch off the mower and disconnect the mains plug before inspecting, cleaning or working on the blades.</p>			

Guarantee terms

Please carefully retain the guarantee card completed by the seller, or the proof of purchase.

The company **Acquaer** provides a guarantee for 12 months from the date of purchase. This guarantee is in accordance with the relevant state of technology and the utilization purpose / area of application. The consumers' statutory rights are not affected by the following guarantee guidelines

Pre-conditions for the 12-month guarantee entitlement:

- Deployment of the device solely for private use.
- Proper handling and observance of all information given in the operating manual, which forms part of our guarantee terms.
- Observance of the prescribed maintenance intervals
- No unauthorized alteration of the design.
- Installation of original GAMA GARDEN replacement parts/accessories.
- Presentation of the completed guarantee card and/or proof of purchase.

This guarantee does not extend to normal wear-and-tear on blades, blade mounting components or friction disks, V-belt/toothed belts, running wheels/tyres air filters spark plugs and spark plug connectors. Any guarantee claim shall be immediately

void in the event of unauthorized repairs. Faults and defects, which can be traced to material or manufacturing faults will be rectified exclusively by our contracted workshops (the seller has the right to remedy a defect) in your vicinity. or by the manufacturer if the latter is closer. Any claims going beyond the provision of a guarantee are ruled out. There is no entitlement to a replacement. Any transport damage should be reported not to us but to the shipper in question since, otherwise, any compensation claims the shipper would be voided.



This symbol on the device or the packaging indicates that the product shall not be managed as household waste. Please dispose of it at the collecting place assigned for the collection of electrical and electronic devices. By proper management of superseded products you can help prevent the environment and human health from damage which would occur if you do not follow the proper way of waste disposal. The recycling of the materials helps in the preservation of the natural resources. For further information on the recycling of the product, please turn to the competent authorities, the local waste collecting service provider or the shop where this product was bought.

Information concerning the packaging materials

The used packaging materials must be thrown into the relevant waste collector.

In case of the need of any parts, questions or service instructions please contact:

- szerviz@gamagarden.eu
- +36 30 508-6563

Acquaer Ltd., 4900 Fehérgyarmat, Szatmári u. 11 certifies CE conformity of the above-mentioned product and that it complies with the technical data specified in the data plate and the “Operating instructions”.

You can get detailed information about the CE declarations at: www.gamagarden.eu