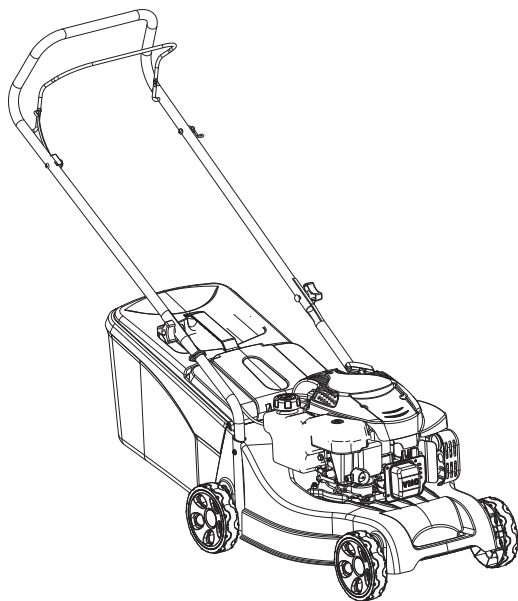
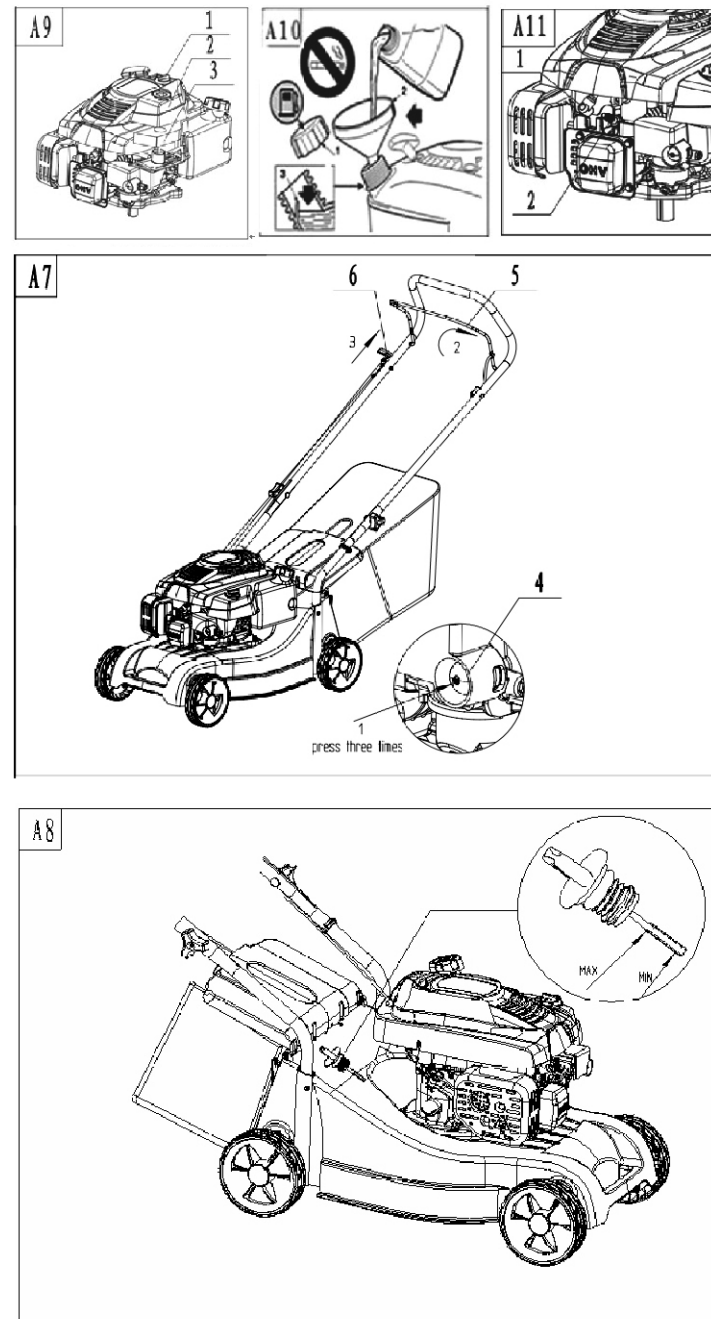
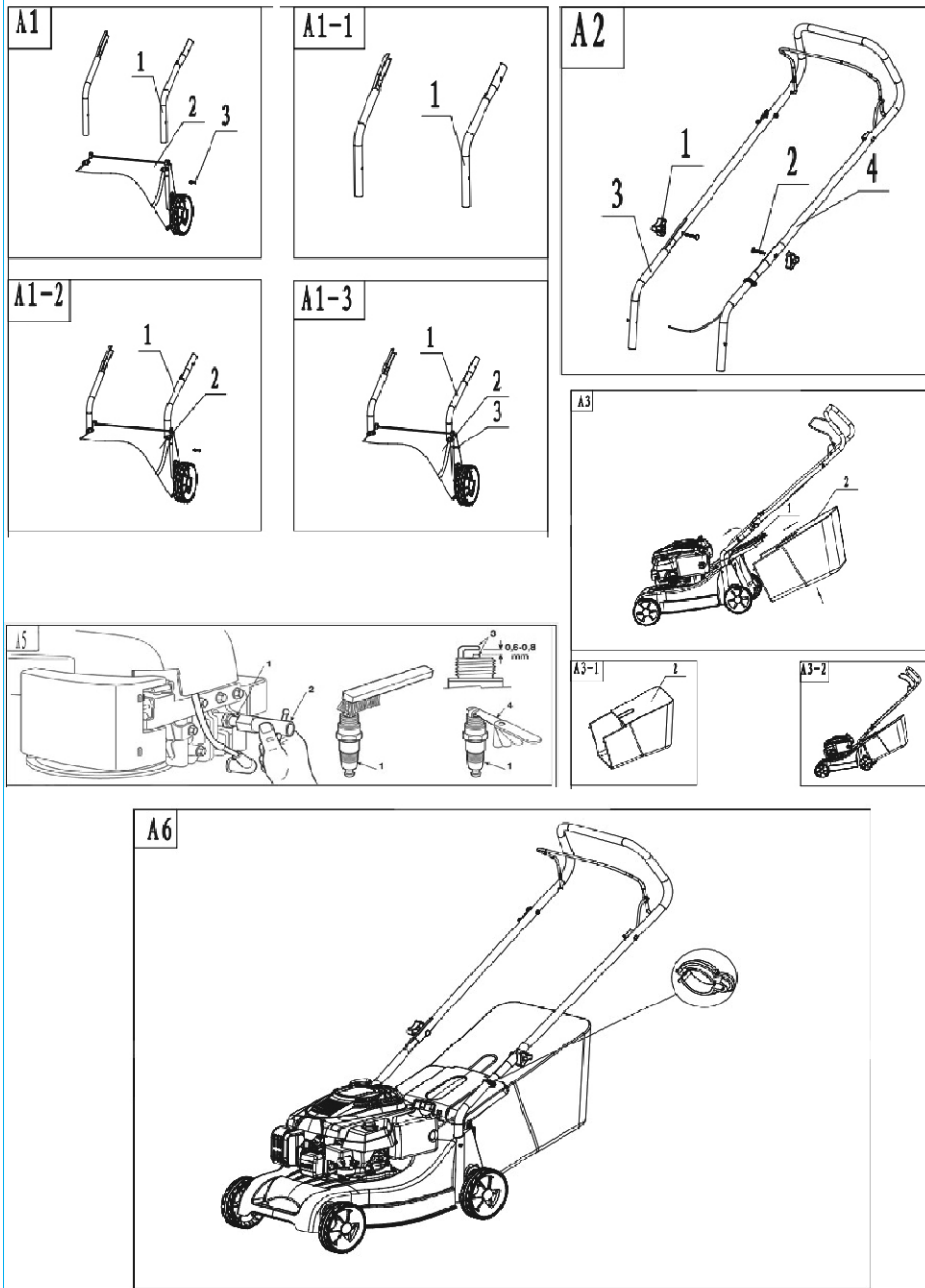


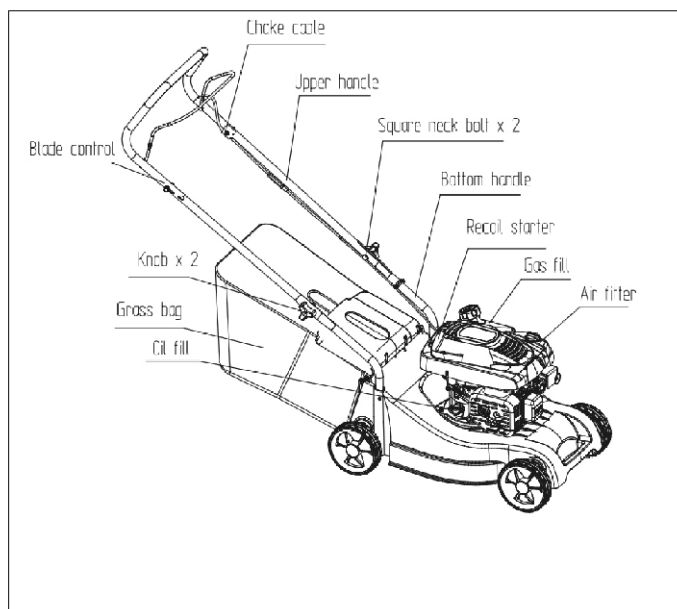
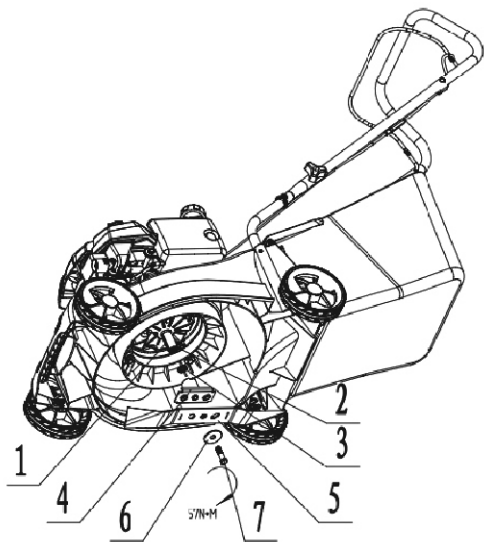
EN Lawn mower - Instruction manual

GLM-40P





A12



Congratulations on your purchase of a GAMA GARDEN lawnmower



It is important that you read, fully understand and observe the following safety precautions and warnings. Careless or improper use of the machine may cause serious or fatal injury.

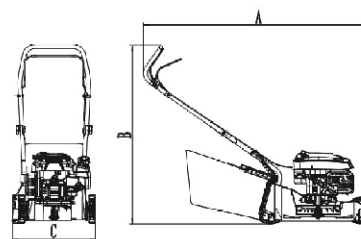
The user is responsible for any accidents involving other people or other people's property.



Never let children or other persons who are not familiar with the operating instructions use the lawnmower. Juveniles under 16 years may not use

the equipment. Local regulations may specify the minimum age of the operator

Technical data



We reserve the right of technical changes

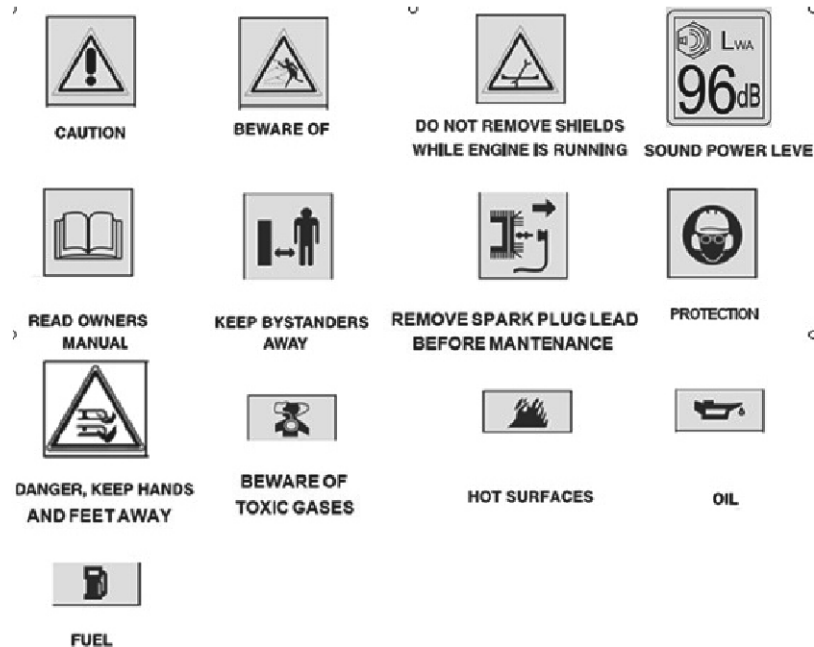
D measurement of vibrations at the handlebar. Held by the operator according to EN1033, EN836. The typical weighted acceleration is:

Type	GLM-40P
A	135cm
B	101.5cm
C	44.5cm
D	$a_{w,6.439m/s^2}$
Sound power level	L _{WA} 96 dB
Power	1.8Kw/2750rpm
Displacement(CC)	110
Spark plug	F7RTC
Tank capacity	1.2L
Oil capacity	0.55L
Grass catcher	45L
Working width	400mm
Cutting height	25cm-45cm-65 cm
Weight	16Kg

Safety instructions

Do not operate machine before having read the operating instructions, understood all the notes and assembly the machine as described here. Keep the instructions in a safe place for future use.

Meaning of the symbols



1. General information

- This lawnmower is intended for the care of grass and lawns in private gardens, because of the physical hazard to the operator the lawn mower may not be used:
 - to trim shrubs, hedges and bushes,
 - for cutting climbing plants,
 - for mowing lawns in roof gardens,
 - for trimming plants in balcony boxes,
 - for cleaning pavements or other paved areas (vacuuming blowing away - removing snow),
 - for shredding and cutting up tree and hedge cuttings
 - as a tractor device (for self-propelled mowers)
 - for lawn turning devices, spreading devices, trailers e.g. for passengers, transporting cuttings (except in the grass collection box provided).

Training

- 1) Read carefully the instructions in this manual as well as those of the lawnmower powered by this engine. Learn how to stop the engine quickly.
- 2) Never allow people unfamiliar with these instructions to use the engine.

3) Never use the engine while people, especially children, or pets are nearby.

4) Remember that the operator or user is responsible for accidents or hazards occurring to other people or their property.

Preparation

- While mowing, always wear substantial footwear and long trousers.
- Do not operate the appliance when barefoot or wearing open sandals.
- Thoroughly inspect the area where the appliance is to be used and remove all stones, sticks, wires, bones, and other foreign objects.
- Before using, always visually inspect to see that the blades, blade bolts and cutter assembly are not worn or damaged. Replace worn or damaged blades and bolts in sets to preserve balance.
- On multi-bladed appliances, take care as rotating one blade can cause other blades to rotate.
- Turn engine OFF and let it cool before removing gas cap.
- **WARNING: DANGER! Fuel is highly flammable:**
 - store the fuel in special containers;
 - refuel only outdoors by using a funnel; never smoke while refueling and/or handling fuel;
 - add fuel before starting the engine. Never remove the cap of the fuel tank or add fuel while the engine is running or when the engine is hot;
 - if fuel is spilled, do not attempt to start the engine but move the lawnmower away from the area of spillage and avoid creating any source of ignition until the fuel has evaporated and fuel vapours have dissipated;
 - always put the tank and fuel container caps back on and tighten well.
 - Replace faulty silencers and the guard, if damaged.

Operation

- Mow only in daylight or in good artificial light.
- Always be sure of your footing on slopes.
- Do not mow excessively steep slopes.
- Use extreme caution when reversing or pulling the appliance towards you.
- Stop the blade(s) if the appliance has to be tilted for transportation when crossing surfaces other than grass, and when transporting the appliance to and from the area to be mowed.
- Never operated the appliance with defective guards or shields, or without safety devices, for example deflectors and/or grass catchers, in place.
- Do not put hands or feet near or under rotating parts. For rotary mowers, keep clear of the discharge opening at all times.
- Never pick up or carry an appliance while the engine is running.
- Do not operate the engine in a confined space where dangerous carbon monoxide fumes can collect.
- Do not use starting fluids or similar products.
- Do not change the engine governor settings or overspeed the engine.
- Do not tip the lawnmower at angle which causes fuel to spill from the fuel tank cap.
- Do not touch the cylinder fins and/or the silencer guard until the engine has cooled down.
- Turn the engine off and remove the spark plug wire before inspecting, cleaning or working either on the lawnmower or engine.
- Do not crank the engine with spark plug removed.
- Do not transport the lawnmower with fuel in tank.

Maintenance and storage

- Keep all nuts, bolts, and screws tight to be sure the appliance is in safe working condition.
- Check the grass catcher frequently for wear or deterioration.

- A routine maintenance is essential for safety and for keeping a high performance level.
- Do not store the lawnmower with fuel in tank in an area where the fuel vapors could reach an open flame, a spark or a strong heat source
- Allow the engine to cool before storing the lawnmower anywhere.
- To reduce the fire hazard, keep the engine, the silencer and the fuel storage area free of grass, leaves, or excessive grease.
- If the fuel tank has to be drained, this should be done outdoors once the engine has cooled down.
- On safety ground, never use the engine with either worn or damaged parts. Parts are to be replaced and not repaired. Use genuine spare parts. Parts that are not of the same quality can damage the engine and impair your safety.

WHAT YOU NEED TO KNOW

The engine performance, reliability and life are influenced by many factors, some external and some strictly associated with the quality of the products used and with the scheduled maintenance.

The following information allow a better understanding and use of your engine.

1. ENVIRONMENTAL CONDITIONS

The operation of a four-stroke endothermic engine is affected by:

a) Temperature:

- Working in low temperatures could lead to a difficult cold starting.
- Working in very high temperatures could lead to a difficult hot starting due to the evaporation of the fuel either in the carburetor float chamber or in the pump.
- In any case, the right kind of oil must be used, according to the operating temperatures.

b) Altitude:

- The higher the altitude (above sea level), the lower the max power developed by an endothermic engine.
- the lawnmower should be reduced avoiding, Therefore, at the highest altitudes the load on for example, to cut tall or wet grass.

2.FUEL

A good quality fuel is the major issue for the engine reliability of operation.

- a) Use unleaded gasoline, with a minimum of 90 octane.
- b) Use clean, fresh fuel; purchase fuel in quantity that can be used within 30 days, to prevent gum from forming inside the container or the tank.
- c) Do not use fuel which contains Methanol.
- d) Do not add neither oil nor any kind of fuel additive.

3.OIL

Use always high quality oils, choosing their viscosity grade according to the operating temperature.

- a) Use only detergent oil classified SF-SG.
- b) Choose the SAE viscosity grade of oil from this chart:
 - from 5 to 35 °C= SAE 30
 - from -15 to + 5°C = 5W-30 or 10W-30 (Multi-viscosity)
 - from -25 to + 35°C = Synthetic oils 5W-30 or 10W-30 (Multi-viscosity)
- c) The use of multi-viscosity oils in hot temperatures will result in higher than normal oil consumption; therefore, check oil level more frequently.
- d) SAE 30 oil, if used below 5°C, could result in possible engine damage due to inadequate lubrication.
- e) Do not mix oils of different brands and features.
- f) Oil should be at "MAX" mark (seeA8); do not overfill. Overfilling with oil may cause:
 - Smoking;
 - Spark plug or air filter fouling, which will cause hard starting.

4.AIR CLEANER

The efficacy of the air cleaner is crucial to prevent grass debris and dust from being sucked in by the engine, thus reducing its performance and life.

The filter element is made of a special open-cell foam that must be saturated with oil to perform adequately.

- a) Keep the filter element free from grass debris and always oil saturated
- b) If necessary, replace the filter element with a genuine spare part; foam quality and porosity are essential for the good performance of the filter.
- c) Never start the engine with air cleaner removed.

5.SPARK PLUG

Not all the spark plugs for endothermic engines are the same!

- a) Use only spark plugs of the recommended type, with the right heat range.
- b) Check the length of the thread, because-if too long-it will damage the engine beyond repair.
- c) Make sure that the electrodes are clean and their gap is correct (see A5).

2. Before mowing

- Check the site on which the machine is to be used, and remove all items which could be caught and ejected.
- Check the grass catchments device regularly for wear-and-tear and deformation.
- Before every use, perform the following checking procedures in order to assure a regular operation.
 - Only refuel outdoors
 - For safety reasons the fuel filler cap must be replaced when damaged.
 - Check the fuel line connections, air filter fittings, etc. for tightness.

Check oil level(see A8)

See the Technical data table for the oil to be used.

- a) Place engine level.
- b) Clean around oil fill.
- c) Remove the filler cap (1), clean the tip of the dipstick (2), insert and tighten down.
- d) Remove dipstick again and check the oil level that must be between the "MIN" and "MAX" marks.
- e) If oil is required, add oil of the same kind up to the "MAX" mark, being careful not to spill any outside the oil fill.
- f) Close the filler cap (1) and wipe off any spilled oil.

Check air cleaner (seeA9)

The efficacy of the air cleaner is crucial for the good performance of the engine; never start the engine if the filter element is missing, broken or insufficiently saturated with oil.

- a) Clean around the filter cover(1)
- b) Release the rear clip(2)remove the cover(1)d check the foam(3)ement that should be undamaged, clean and well saturated with oil. If not, oil or replace the foam element
- c) Put the cover (1) back.

Adding fuel(see A10)

See the Technical data table for the fuel characteristics.

Add fuel only when the engine is cold

- a) Place the lawnmower level.
- b) Clean around the filler cap (1).
- c) Remove the filler cap (1)
- d) Using a clean funnel (2), fill tank to approximately 5 mm below the inner edge of the fillerneck (3), being careful not to spill fuel.
- e) Tighten the filler cap (1) back and clean any spilled fuel.



WARNING : petrol is highly infammable! Do not smoke. Do not refuel in any area where there may be a naked flame.

Spark plug cap(see A11)

Connect the cap (1) of cable to the spark plug(2), making sure that there is no grass or dirt either inside the cap or on the spark plug terminal.

3. When starting the engine

- Only start the engine if your hands and feet are at safe distance from the mower deck and blade.

- Before you start the engine, disengage the drive.
- When starting or switching on the engine the lawn mower must not be tilted, unless the lawn mower must be raised for the procedure. In this case, you tilt it only so far as is absolutely necessary and only raise the side turned away from the operator.
- Do not let the engine run in closed areas in which dangerous carbon monoxide may accumulate.
- Start the mower on an even surface, not in tall grass.
- Do not start the engine if you are standing in front of the discharge channel.

4. When mowing

- WARNING, DANGER! Rotating blade!

- Do not attempt to touch the blade when it is running.
 - Observe the safety distance provided by the handlebars and bail arms.
 - Only start the engine if your feet are at a safe distance from the blade.
 - Make certain that you have a secure foothold, particularly on slopes. Never run, always walk calmly.
 - Always mow slopes along the contours, not up and down the slope.
 - Particular care is required on slopes as you change direction.
 - Be particularly careful when you turn the mower and pull it towards you.
 - Switch off the mower, if you tilt it, run it dry or when transporting it.
 - Never use the lawn mower with damaged protection guards, safety devices or grilles or without the protection devices attached, e.g. baffle plates and/or grass box.
 - Do not change the governor adjustment of the engine or attempt to adjust it.
 - The blade must be stopped if the lawn mower is moved off the lawn.
 - Before you raise or carry the mower switch off the engine off and wait until the blade has come to a complete stop.
 - Adjust the cutting height only with the engine switched off and with the blade at a standstill.
 - Never open the protection flap if the engine is still running.
 - Before removing the grass box: Turn off the engine and wait for the blade to stop. Carefully refit the grass box after emptying.
 - Never drive over gravel with the engine running - stones can be thrown by contact with the blade!
 - Where possible, do not mow in wet grass. If the mower appears to have blocked, turn off the engine, remove the spark plug lead and wait until the blade comes to a standstill if, for example:
 - .to free a blockage in the ejection channel
 - .to examine or clean the mower
 - .if a foreign body is encountered. Check whether mower deck or blade have been damaged. Then correct or repair the damage before recommencing mowing.
 - .if the mower strongly vibrates from imbalance (then switch off immediately and look for the cause).
 - NOTE: Danger when grass box equipment is inappropriately handled.
 - Turn the engine off if you leave the lawn mower unattended and before you refuel.
- #### 5. After working
- Do not leave the mower in closed areas after switching off allow it to cool off in the open air before storing away.

- Never keep the machine with petrol in the tank within a building in which gasoline vapours may possibly come into contact with naked flames or sparks. Before leaving the mower
- remove the spark plug lead
- Lifting and carrying the mower for transport:
 - Never attempt to lift the mower with the engine running - nor with a hot engine - always
 - remove the spark plug lead before lifting or carrying.
 - Always carry out the engine oil change with the fuel tank empty and filler cap fitted. The engine should be warmed up prior to draining the oil to ensure all sludge deposits are drained away with the oil.

Assembly

Assembling bottom handle part (See A1)

- 1、 Pick up the left bottom handle (1) as illustrated in fig(A1-1);
- 2、 Insert the left bottom handle (1) into deck (2) hole as illustrated in fig (A1-2) ;
- 3、 Insert the hexagon bolt(3) into the hole of nut as illustrated in fig(A1-3) ;
- 4、 Sure the bottom handle can be fixed. Repeat for the other side.

Assembling upper of handle(See A2)

Position the upper handle(4) bar over the bottom handle (3) and insert the two locking knobs bolts (1), and tighten by two nut (2) to secure the handles together as illustrated in fig(A2).

Attaching clips(See A6)

Fasten cable with the clips on the handle rod.

Operation

Operating times

Please check noise abatement regulations prevailing in your country.

Grassbox (See A3)

Grassbox assembly

- 1、 pick up the grassbox (2) as illustrated in fig(A3-1);
- 2、 hold the deflector guard up as illustrated in fig(A3) ;
- 3、 Fit the grass bag fiber on the fram as illustrated in fig(A3-2).

Removing/emptying

Lift the deflector guard and hold up. Remove the grassbox.

For non grass collection the mower can be used without the grassbox in position, with the deflector guard in the down position.

Setting the working depth (see A4)



Only when mower is stationary and rotating blade has come to complete standstill.

For the first cutting of the season, a high cutting adjustment should be selected.

You machine has three settings that result to the following cutting heights as illustrated in fig(A4).

1=25mm 2=45mm 3=65mm

- a) pick axle screw(2) through flatwasher(3), leftwheel(4)and axle bush(5).
- b) then tighten the wheel(4) with deck.
- c) cover the wheel cap(1)

Important! (a)The front and back wheels must be set to the same height.

(b)The wheel is distinguish with left and right, the right wheel as illustrated in fig(A4-1), the left wheel as illustrated in fig(A4-2).

(c) The axle screw is distinguish with left and right, the right axle screw has no sign on part, the left wheel as illustrated in fig(A4-3).

Starting the engine (cold starting) (see A7)

Always start the engine with the lawnmower traction device (if equipped) disengaged.

- Push down the button (4) three times.
- Close blade control handle (5), as shown in the lawnmower instructions.
- Then pull cord (6) rapidly.
- When engine starts, release the recoil starter.

NOTE If the engine does not start, repeat from section c).

NOTE If the engine starts but does not keep running, repeat the whole starting procedure .

Starting the engine (hot starting)

Follow the whole cold-starting procedure.



- Release the blade control handle to stop t **WARNING! Keep your hands away from the silencer and surrounding areas that can become extremely hot. With the engine running, do not get loose-fitting clothing (ties, scarves, etc.) or hair closer to the top part of the engine.**

IMPORTANT : inclines to prevent malfunctioning of the engine. Do not operate on over 13°

Stopping during operation he engine.

Stopping at the end of operation

- Release the blade control handle to stop the engine.
- Once the engine has cooled, disconnect the spark plug cap.
- Remove any grass build-up from the engine, in particular from the silencer, to reduce fire hazard.

Maintenance



Disconnect spark plug cap before proceeding

Clean mower thoroughly after each mowing with cloth or brush.

Do not spray with water. Keep mower in a dry room.

LONG STORAGE (over 30 days)

In case the engine has to be stored for a longtime (for example at the end of the season), a few precautions are needed to help the future start-up.

- Drain fuel from tank to prevent build-ups inside the tank.
- Remove the spark plug and pour inside the spark plug hole about 3 cm of clean engine oil. Close the hole with a cloth, then pull, slowly and carefully, the starting rope so that, with a few engine revolutions, the oil will be distributed on the cylinder inner walls. Reinstall the spark plug without connecting the cable cap.

IMPORTANT: Never get rid of used oil, fuel or other pollutants in unauthorised places.

IMPORTANT: If necessary, you can lift the front side of your lawnmower or you can tip it on its left side only, making sure not to spill any fuel or oil.

Change of cutter blade (See A12)



Disconnect spark plug cap before proceeding

Use protective gloves when changing blades to avoid cutting yourself.

Blunt and damaged blades tear up the grass and make the lawn unsightly after mowing. New well-sharpened blades cut off the grass. This gives a green and fresh appearance after mowing. Always check the blades after a collision. First disconnect the spark plug cable. If the blade system has been damaged, defective parts should be replaced. Always use genuine spare parts. To replace the blade(5), slacken the screw(7). Fit the new blade so that the stamped GAMA GARDEN GLM40-10012587 logo is turned up facing the blade holder (not facing the grass). Reinstall as illustrated. Tighten the screw.

properly. Tightening torque 57 Nm (fig. A12)

When replacing the blade, the blade screw should also be replaced.

The guarantee does not cover damage to the blade, blade holder or engine caused by running into obstacles.

When replacing the blade, blade holder and blade screw, always use genuine spare parts.

Non-genuine spare parts can entail a risk of injury or damage, even if they fit the machine.

SHARPENING OF THE BLADES

Sharpening of the blades must be done by wet method grinding, using a whetstone or a grindstone. For safety reasons, the blades should not be sharpened on an emery wheel. Too high temperature could cause the blade to become brittle.



Once the blade has been sharpened, it must then be balanced to avoid vibration damage.

CHANGE OIL (see A8)

See the Technical data table for the oil to be used.



WARNING! Drain oil while the engine is warm, being careful not to touch the hot engine nor the drained oil.

- Place engine level.
- Clean around oil fill
- Remove the filler cap (1).
- Have a container ready to collect the oil.
- Tip the lawnmower on its left side so that the oil will drain from the oil fill .
- Place the lawnmower level and top up with new oil.
- Check the oil level on the dipstick (2). Oil should be at "MAX" mark.
- Close the filler cap(1) and wipe off any spilled oil.

NOTE: The oil capacity is about 0.55liter.

CLEAN SILENCER AND ENGINE

Silencer must be cleaned when the engine is cold.

- Remove from the silencer and its guard any grass debris or dirt that could cause fire, using a brush or compressed air.
- Clean the cylinder and cylinder head fins to ease engine cooling and prevent overheating.
- Clean the plastic components with a sponge (4) soaked in water and detergent.

AIR CLEANER SERVICE (see A9)

Keep the filter clean and oil saturated. Replace it if broken, cut or with damaged parts.

IMPORTANT : Never use compressed air to clean the filtering element.

- a) Clean around the filter cover .
- b) Release the rear clip ; remove the cover and the foam element.
- c) Wash the foam element in liquid detergent and water. Squeeze dry in a clean cloth.
- d) Saturate the foam element with 2 table-spoons of clean engine oil and squeeze it a few times to distribute the oil evenly.
- e) Remove excess oil with a clean cloth.
- f) Clean the interior of the air cleaner housing from any dust and grass, making sure that they do not enter the intake manifold .
- g) Install the foam element in its housing and close the cover .

If the foam element has been replaced, proceed to oil the new filter as described above in sections d), e), f), g).

SPARK PLUG SERVICE(See A5)

- a) Remove the spark plug (1) using a spark plug socket wrench (2).
- b) Clean the electrodes (3) with a metal brush and remove any carbonaceous build-up.
- c) Using a thickness gauge (4), check for the right gap (0.6–0.8 mm) between the electrodes.
- d) Install the spark plug (1) and tighten with a socket wrench (2).

Replace the spark plug if the electrodes are burnt or if the porcelain is broken or damaged.



WARNING! Fire hazard! Do not check the ignition system with spark plug removed.

IMPORTANT: Use only spark plugs of the recommended the Technical data table

To restore the correct phase:

- a) Stop the engine, remove the spark plug cap and wait until the engine has cooled.
- b) Loosen the screw of the clamp so that the cable casing is free to move.
- c) Move governor control lever forward as far as possible and, by keeping it in this position, lock the casing full tightening the screw of the clamp.

TROUBLESHOOTING

PROBLEM	LIKELY CAUSE	SOLUTION
a) Hard starting	No fuel	Check and top up (see A10)
	Stale fuel or build-ups in tank	Empty fuel tank and refill with fresh fuel
	Spark plug disconnected	Check that the spark plug cap fits well over the plug terminals (see A11)
	Dirty electrodes or incorrect gap	Check (see A5)
	Air filter clogged	Check and clean the air cleaner
	Incorrect oil for the season	Replace with proper oil
	Fuel evaporation in the carburetor (vapor lock) due to high temperatures	Wait for a few minutes then start again
b) Inconsistent working	Fault in carburation	Contact a Licensed Service Centre
	Stale fuel or build-ups in tank	Empty fuel tank and refill with fresh fuel
	Dirty electrodes or incorrect gap	Check (see A5)
	Air filter clogged	Check and clean the air cleaner
	Fault in carburation	Contact a Licensed Service Centre
c) Loss of power while mowing	Air filter clogged	Check and clean the air cleaner
	Fault in carburation	Contact a Licensed Service Centre

Guarantee terms

Please carefully retain the guarantee card completed by the seller, or the proof of purchase.

The company GAMA GARDEN provides a guarantee for 24 months from the date of purchase. This guarantee is in accordance with the relevant state of technology and the utilization purpose / area of application. The consumer's statutory rights are not affected by the following guarantee guidelines.

Pre-conditions for the 24-month guarantee entitlement :

- Deployment of the device solely for private use.

The guarantee is reduced to 12 months in the commercial sector or leasing business.

- Proper handling and observance of all information given in the operating manual, which forms part of our guarantee terms.
- Observance of the prescribed maintenance intervals
- No unauthorized alteration of the design.
- Installation of original GAMA GARDEN replacement parts/accessories.
- Presentation of the completed guarantee card and/or proof of purchase.

This guarantee does not extend to normal wear-and-tear on blades, blade mounting components or friction disks, running wheels/tyres air filters spark plugs and spark plug connectors. Any guarantee claim shall be immediately void in the event of unauthorized repairs. Faults and defects, which can be traced to material or manufacturing faults will be rectified exclusively by our contracted workshops (the seller has the right to remedy a defect) in your vicinity, or by the manufacturer if the latter is closer. Any claims going beyond the provision of a guarantee are ruled out. There is no entitlement to a replacement. Any transport damage should be reported not to us but to the shipper in question since, ~~otherwise~~, any compensation claims the shipper would be voided.



This symbol on the device or the packaging indicates that the product shall not be managed as household waste. Please dispose of it at the collecting place assigned for the collection of electrical and electronic devices. By proper management of superseded products you can help prevent the environment and human health from damage which would occur if you do not follow the proper way of waste disposal. The recycling of the materials helps in the preservation of the natural resources. For further information on the recycling of the product, please turn to the competent authorities, the local waste collecting service provider or the shop where this product was bought.

Information concerning the packaging materials

The used packaging materials must be thrown into the relevant waste collector.

GAMA Garden Ltd., 4900 Fehérgyarmat, Szatmári u. 11 certifies CE conformity of the above-mentioned product and that it complies with the technical data specified in the data plate and the "Operating instructions".